

6

5

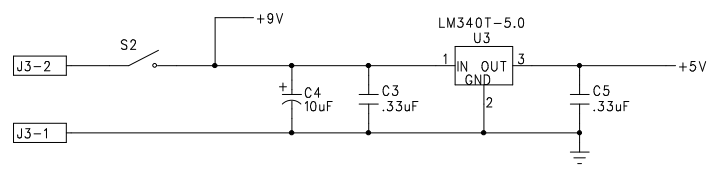
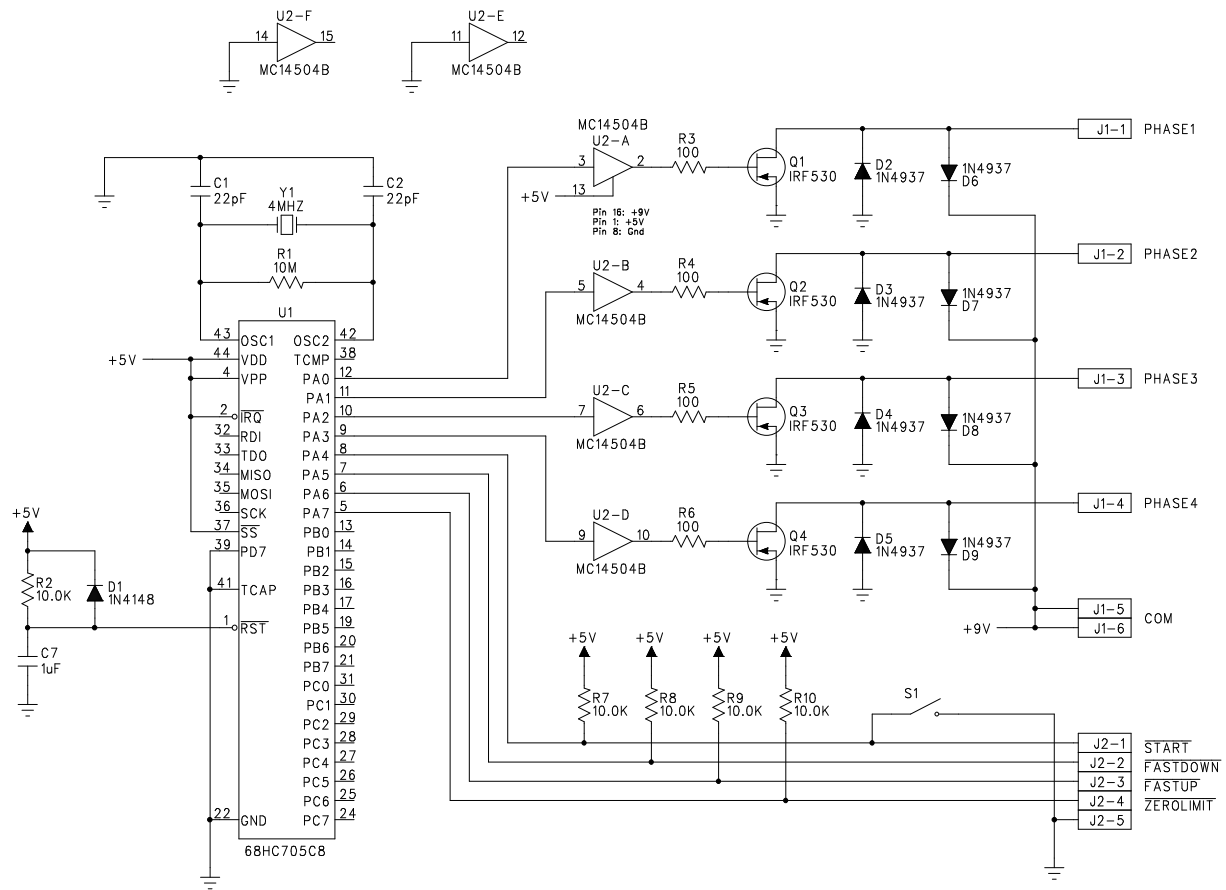
4

3

2

1

REVISION RECORD			
LTR	ECO NO:	APPROVED:	DATE:



COMPANY: Chris L Peterson

TITLE: Barndoor Tracker

DRAWN: CLP	DATED: 4/4/1997
CHECKED:	DATED:
QUALITY CONTROL:	DATED:
RELEASED:	DATED:

CODE:	SIZE: C	DRAWING NO:	REV: A
SCALE:		SHEET: 1 OF 1	