

6

5

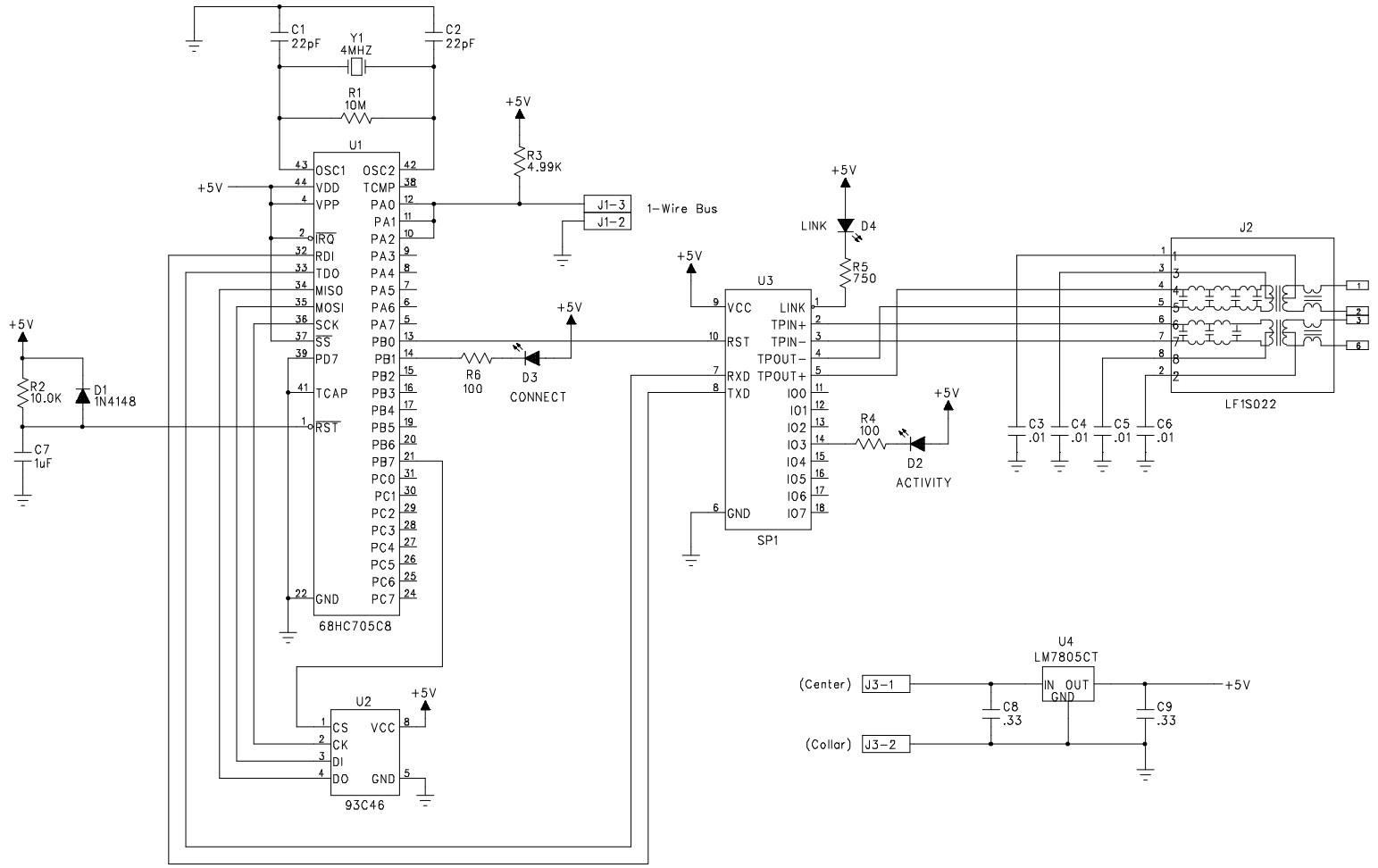
4

3

2

1

| REVISION RECORD |         |           |       |
|-----------------|---------|-----------|-------|
| LTR             | ECD NO: | APPROVED: | DATE: |
|                 |         |           |       |
|                 |         |           |       |
|                 |         |           |       |



COMPANY: Chris L Peterson

TITLE: Weather Station Web Interface Controller

|                  |                |
|------------------|----------------|
| DRAWN: CLP       | DATED: 5/16/01 |
| CHECKED:         | DATED:         |
| QUALITY CONTROL: | DATED:         |
| RELEASED:        | DATED:         |

|        |         |             |               |
|--------|---------|-------------|---------------|
| CODE:  | SIZE: C | DRAWING NO: | REV: A        |
| SCALE: |         |             | SHEET: 1 OF 1 |